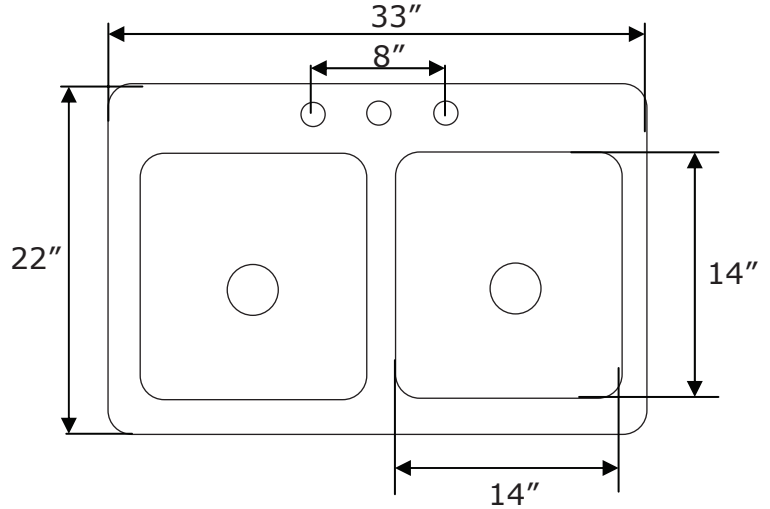




**Product Specification/Cut Sheet**  
**Sku# 72829 - 4-Hole / Sku#72868 - 3-Hole**



**New Millenium**  
**Model Sku# 72868 (3 Holes)**  
**Model Sku# 72869 (4 Holes)**

***Drop-In Stainless Steel Sink***  
**33x22x6**

- 22 Gauge, 304 Stainless Steel
- 50/50 Bowl Split
- 3 or 4 Hole
- Satin Finish

**CARE AND CLEANING:**

Care should be given to the cleaning of this product. While its finish is extremely durable, it can be damaged by harsh abrasives or polish. To clean, simply wipe gently with a damp cloth and blot dry with a soft towel.

**DIMENSIONS**

- OVERALL: 33" X 22" X 6" DEEP
- BOWLS (EACH): 14" X 14" X 6" DEEP
- CUTOUT: 32-1/2" X 21-1/2"
- FAUCET HOLES ON 4" CENTERS
- 8 PCS SINK RIM MOUNTING CLIPS INCLUDED (DRUM GALVANIZED PLATED)

These sinks comply with ANSI Standard A112.19.3M.



These sinks are listed by the International Association of Plumbing and Mechanical Officials as meeting the requirements of the Uniform Plumbing Code.

NOTE: Dimensions may vary +/-1/8" and are subject to change or cancellation.

Primary dimensions are provided in Imperial measurements, transposition to millimeters is the sole responsibility of the installer. Dimensions for Location of Supply are Suggested.

New Millenium assumes no responsibility or liability for local or state regulations which deviate from national standards. It shall be the responsibility of the installer to comply with local codes and standards prior to installation of any New Millenium product.