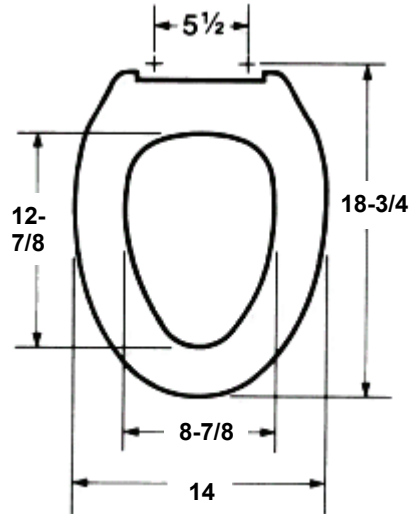


Sku# 9061-White

Sku# 9055-Biscuit

Sku# 9058-Bone



Integrally Molded Bumpers



Washer Bolt with Wing Nut

Elongated Plastic Seat

New Millenium Model Sku# 9061 / Sku# 9055 / Sku# 9058

- Injection Molded of an Extremely Rugged, High Impact Solid Plastic.
- Advanced Top Mounted Hinges.
- Improved Corrosion Proof Nylon Nuts and Bolts.
- Highly Stain and Chemical Resistant for Durability.
- Integrally Molded, Permanent, Color Matched Bumpers that Never need Replacing.
- Contemporary, Contoured Cover Designed with Functional Finger Lift for Convenient, Sanitary Handling.
- Available in White, Biscuit or Bone
- **All New Millenium Plastic Seats Meet or Exceed ANSI Standard Z-124.5**

CARE AND CLEANING:

Care should be given to the cleaning of this product. While its finish is extremely durable, it can be damaged by harsh abrasives or polish. To clean, simply wipe gently with a damp cloth and blot dry with a soft towel.

NOTE: Dimensions may vary +/-1/8" and are subject to change or cancellation.

Primary dimensions are provided in Imperial measurements, transposition to millimeters is the sole responsibility of the installer. Dimensions for Location of Supply are Suggested.

New Millenium assumes no responsibility or liability for local or state regulations which deviate from national standards. It shall be the responsibility of the installer to comply with local codes and standards prior to installation of any New Millenium product.