



Emerald Single Hole Lavatory Faucet—Tall

New Millenium #32604-Chrome, 36394-Satin Nickel

- Single Post Lav Faucet
- Solid Brass Construction
- Chrome Finish
- Ceramic Cartridge
- **ASME A112.18.1**
- **IAPMO/UPC**
- **CSAB125**
- **NSF 61**

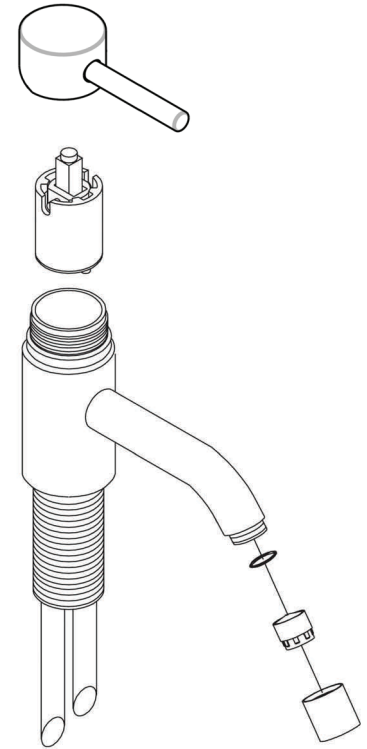
CARE AND CLEANING:

Care should be given to the cleaning of this product. While its finish is extremely durable, it can be damaged by harsh abrasives or polish. To clean, simply wipe gently with a damp cloth and blot dry with a soft towel.

NOTE: Dimensions may vary +/-1/8" and are subject to change or cancellation.

Primary dimensions are provided in Imperial measurements, transposition to millimeters is the sole responsibility of the installer. Dimensions for Location of Supply are Suggested.

New Millenium assumes no responsibility or liability for local or state regulations which deviate



- 1. FAUCET BODY
- 2. HANDLE
- 3. HANDLE BODY
- 4. VALVE LOCKING RING
- 5. BRASS CARTRIDGE RING
- 6. CARTRIDGE



Required Tools

1. Unscrew Handle (2) from Handle Body (3)
2. Remove Handle Using Allen Wrench
3. Unscrew Valve Locking Ring (4)
4. Unscrew Brass Cartridge Ring (5)
5. Remove Cartridge